



**SINGLE BARREL SHOTGUN
INSTRUCTION MANUAL
MODEL PARDUS SB/SBL**

**READ THE INTRUCTIONS AND
WARNINGS IN THIS MANUAL CAREFULLY
BEFORE USING THIS FIREARM**

SAFETY FIRST

Please do not use your shotgun before reading safety rules and this manual.

Observe these rules of safe gun handling.

1. Always keep the muzzle pointed in a safe direction. Watch the muzzle at all time, never point a gun, accidentally or intentionally, at any person or anything you do not intend to shoot. Identify the target before shooting; do not shoot at sounds.
2. Always treat a gun as if it is loaded - it may be!
3. Keep your finger off the trigger while operating the action and at all other times until you are ready to shoot.
4. Keep the safety "on" or in the "safe" position at all times until you are ready to fire. Do not rely on your gun's safety, the safety on any gun is a mechanical device and is not intended as a substitute for common sense or safe gun handling.
5. Learn how your gun functions and handles. If you do not thoroughly understand the proper use and care of your gun, seek the advice of someone who is knowledgeable.
6. Do not alter or modify any part of the firearm.
7. Store guns unloaded, separate from any ammunition, and out of the reach of children.
8. Be sure the barrel is clear of any obstructions before loading. Make it a habit to check the barrel every time before loading.
9. Be sure you have and use the proper ammunition. A 20 gauge shell will enter a 12 gauge chamber far enough so that a 12 gauge shell can be loaded behind it. Also, a 3 inch shell may fit into a 2 inch chamber, but the crimp at the mouth of the shell will unfold into the forcing cone. If either of these things occur and you fire the gun, the gun will explode, damaging the gun and possibly causing serious injury or death to you and those around you.
10. Wear protective shooting glasses and adequate ear protection when shooting.
11. Never climb or jump over anything, such as a tree, fence, or ditch, with a loaded gun. Put safety ON. Open the barrel on barrel break shotguns, remove the shells/discharge the chamber on pump and semi-auto shotguns and hand the gun to someone else or place it on the ground on the other side of the obstacle before crossing it yourself. Do not lean a gun against a tree or other object; it could fall and possibly discharge.
12. Do not shoot at a hard surface or at water. Bullet and shot can ricochet or bounce off and travel in unpredictable directions with great velocity.
13. Never transport a loaded gun. DO NOT place a loaded gun into a vehicle. The gun should be unloaded and placed into a case when not in use.
14. Never drink alcoholic beverages before or during shooting.
15. Never try to repair the shotgun on your own if you are not educated or expert of. This may cause un-willed damage to your gun which may seriously injure you or someone around you.
16. Never fire your gun without choke tubes (if comes with interchangeable choke tubes and a thread in the muzzle) snugly tightened in barrels.

Pull the bolt handle to open the gun, as shown (Figure 1)

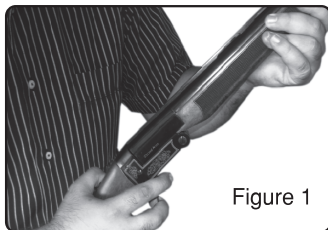


Figure 1

Break your gun gun for loading as shown (Figure 2)

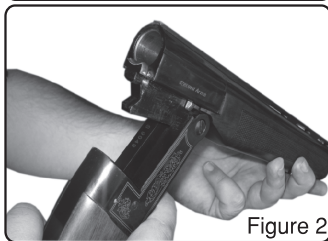


Figure 2

After loading the gun, close the barrel to be ready fire, as shown (Figure 3)

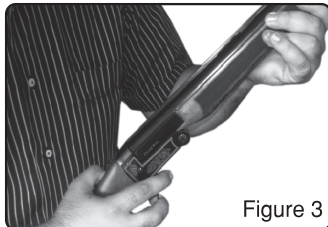


Figure 3

Pull the top lever to break your single barrel shotgun, as shown (Figure 4)

Push the top lever to open safety of your single barrel shotgun as shown (Figure 5)

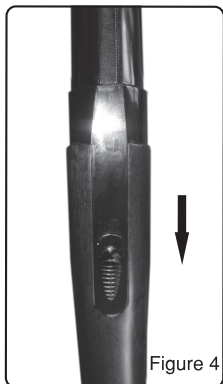


Figure 4

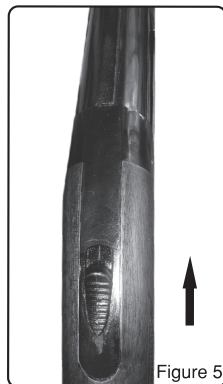
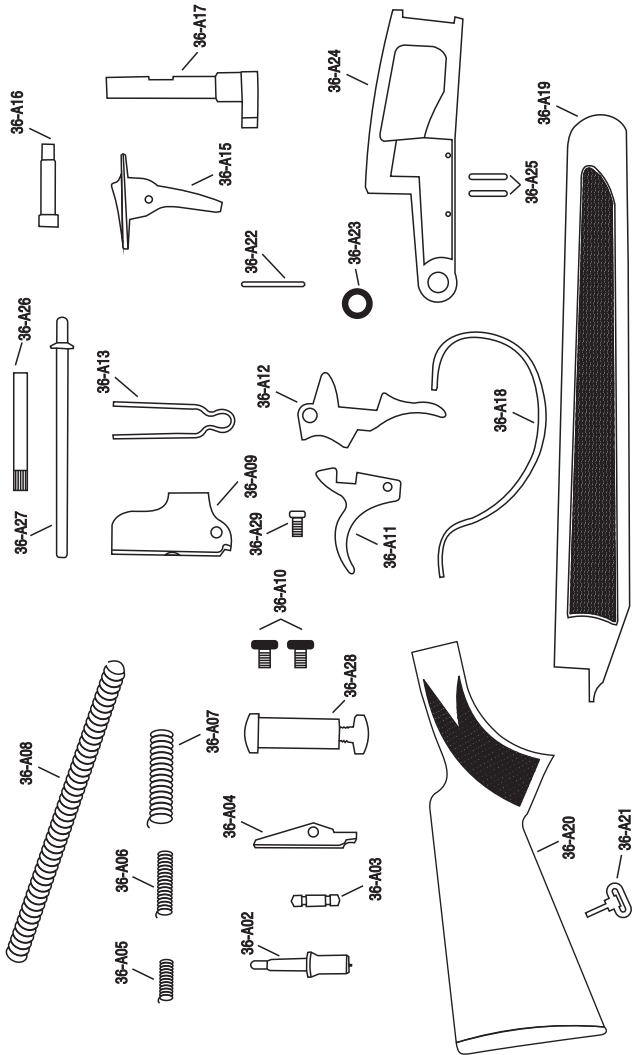


Figure 5

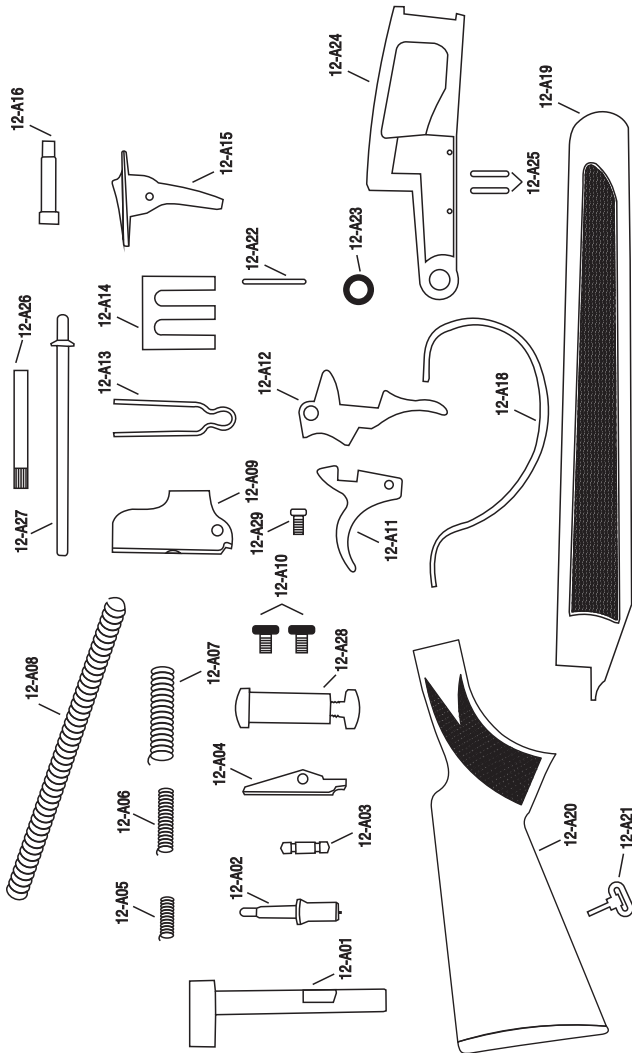
SINGLE BARREL 36GA GENERAL ASSEMBLY



SINGLE BARREL 36GA PART LIST

CODE NO	DESCRIPTION
36-A02	FIRING PIN
36-A03	SAFETY PLUNGER SPRING PIN
36-A04	INSIDE TRIGGER
36-A05	INSIDE TRIGGER SPRING
36-A06	FIRING SPRING PIN
36-A07	LATCH SPRING
36-A08	HAMMER SPRING
36-A09	HAMMER
36-A10	RECEIVER SCREW
36-A11	TRIGGER
36-A12	TOP LEVER
36-A13	SAFETY PLUNGER SPRING
36-A15	SAFETY
36-A16	EXTRACTOR PIN
36-A17	EXTRACTOR
36-A18	TRIGGER CASE
36-A19	FORE - END
36-A20	STOCK
36-A21	SWIVEL
36-A22	SWIVEL PIN
36-A23	EXTRACTOR PIN BOLT
36-A24	RECEIVER
36-A25	TRIGGER PIN
36-A26	TOP LEVER NUT
36-A27	HAMMER SPRING PIN
36-A28	RECEIVER ASSEMBLY SCREW

SINGLE BARREL 12GA GENERAL ASSEMBLY



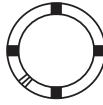
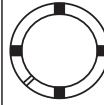
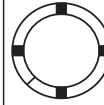
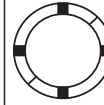


SINGLE BARREL 12GA PART LIST

CODE NO	DESCRIPTION
12-A01	EXTRACTOR
12-A02	FRING PIN
12-A03	SAFETY PIN
12-A04	INSIDE TRIGGER
12-A05	INSIDE TRIGGER SPRING
12-A06	LATCH SPRING
12-A07	LATCH PIN
12-A08	HAMMER SPRING
12-A09	HAMMER
12-A10	THE MAIN SCREW SCREW
12-A11	TRIGGER
12-A12	TOP LEVER
12-A13	SAFETY PLUNGER SPRING
12-A14	LATCH SPRING
12-A15	SAFETY
12-A16	LATCH FOR HAMMER
12-A18	TRIGGER GUARD
12-A19	FORE - END
12-A20	STOCK
12-A21	SWIVEL
12-A22	LATCH PIN
12-A23	LATCH FOR HAMMER PIN
12-A24	RECEIVER
12-A25	TRIGGER PIN
12-A26	TOP LEVER NUT
12-A27	HAMMER SPRING PIN
12-A28	RECEIVER ASSEMBLY SPRING

USAGE OF CHOKE TUBES

The choke is what controls the openness or tightness of the pattern of your shotgun. The chart below lists the choke available (from open to tight), and the corresponding marks that indicate the choke of your specific shotgun.

	SKEET	IC	M	IM	F	XF
CHOKE TUBE						
BBLs	CL	****	***	**	*	XF

Never fire or run gun cleaning tools through a barrel that uses choke tubes without having a choke tube installed. The threads of the choke tube and the internal threads of the barrel should be cleaned after each use and before installation of the tube.

To install a tube, insert the tube into the barrel and tighten with your fingers. Once the tube is finger tightened, tighten with the appropriate choke-tube wrench until the tube is snug. **DO NOT over tighten or forcefully tighten with wrench.**

USAGE OF STEEL SHOT

The choke (bore constriction) in all modern shotguns has been established based on the pattern performance of shot shells loaded with lead shot. When using the steel shot shells, you will notice a different performance in pattern density versus the established lead shot pattern, because the steel shot is harder and lighter than lead shot.

You should be aware of the following differences and cautions: Never shoot steel shot loads in a full choked barrel or full choke tubed barrel. To do so may cause the barrel to swell or rupture. In general, steel shot fired with a modified choke will produce the equivalent of a lead full choke pattern. This will be true of all steel shot sizes up to and including no. 2. The established improved cylinder chokes will produce the equivalent of a (lead) modified choke pattern.

All steel shot sized larger than no. 2, and including special sized such as -F-, "T", etc., should be used only with improved cylinder chokes. These steel shot sized, when used in improved cylinder chokes, will produce patterns equivalent to (lead) full choke patterns. The established cylinder choke or bore will produce the equivalent of a modified (lead) pattern.

MAINTENANCE AND CLEANING

Caution : Make sure the gun is UNLOADED and take help from an experienced person or gunsmith if you do not have self confidence of a true maintenance.

1. Make sure the broad, polished finely fitted mating surface of the breech block and receiver is especially clean and lightly oiled with high quality gun oil. Do not use silicone or lanolin.

2. Run an oil patch through the bore with a cleaning rod starting from the breech end. To prevent leading, use a cleaning solvent and brass brush to clean the bore periodically. Follow this cleaning with one or two clean oil patches. Important: If your gun is equipped with choke tubes, do not use a brass brush to clean the barrels without having a choke tube installed. Barrels that utilize choke tubes must also have the choke tubes removed to clean and oil the threads inside the barrel and the choke tubes themselves. This will protect the threads and prevent dirt build up that can cause tubes to become difficult to remove.

Do not over tighten choke tubes. Wipe all exposed metal surface with an oiled cloth before storing. Do not squirt or pour oil into the inside mechanism because it may hamper proper functioning. After extended periods of heavy use, your gun should be taken to a qualified gunsmith to have the action disassembled for professional cleaning and lubrication.

3. Care for your wood stock and forearm the same way you would a piece of furniture with the same finish.



WARRANTY AND AFTER SALES SERVICE

Pardus agrees to service its products thru your country importer free of charge for defects in materials and workmanship in accordance with the service agreement listed below.

The obligation of **Pardus** under this agreement is limited to the repair or replacement of unserviceable parts and does not cover any incidental or consequential damages. Other than the express warranty contained herein **Pardus** makes no warranties, express or implied.

Pardus will repair or replace any unserviceable part(s) for one (1) year from date of purchase in accordance with the above warranty statement provided your product had not been altered, abused, willfully damaged, or damaged by overpressure ammunition. And further guarantees to supply parts with its cost for following additional 5 years.

This agreement is not transferable; its benefits apply only to the original purchaser. To obtain free service during the time this agreement is in effect, make sure your product is unloaded, and send it to your **Country Importer**. If you do not know the importer and would like us to track for you, please provide us your country information and the serial number of your gun. This agreement and the warranties contained herein are void if you are not the licenced owner of the gun.



PARDUS SAVUNMA VE AV SANAYI
ITHALAT VE IHRACAT LTD. STI.
Mehmet Akif Mah. Gunyamac Cad.
Ilkbahar Sk. No: 5/4 34782
Cekmekoy, Istanbul, TURKIYE
P: +90 216 642 2353 PBX
F: +90 216 642 2360
www.pardusarms.com
pardusarms@pardusarms.com